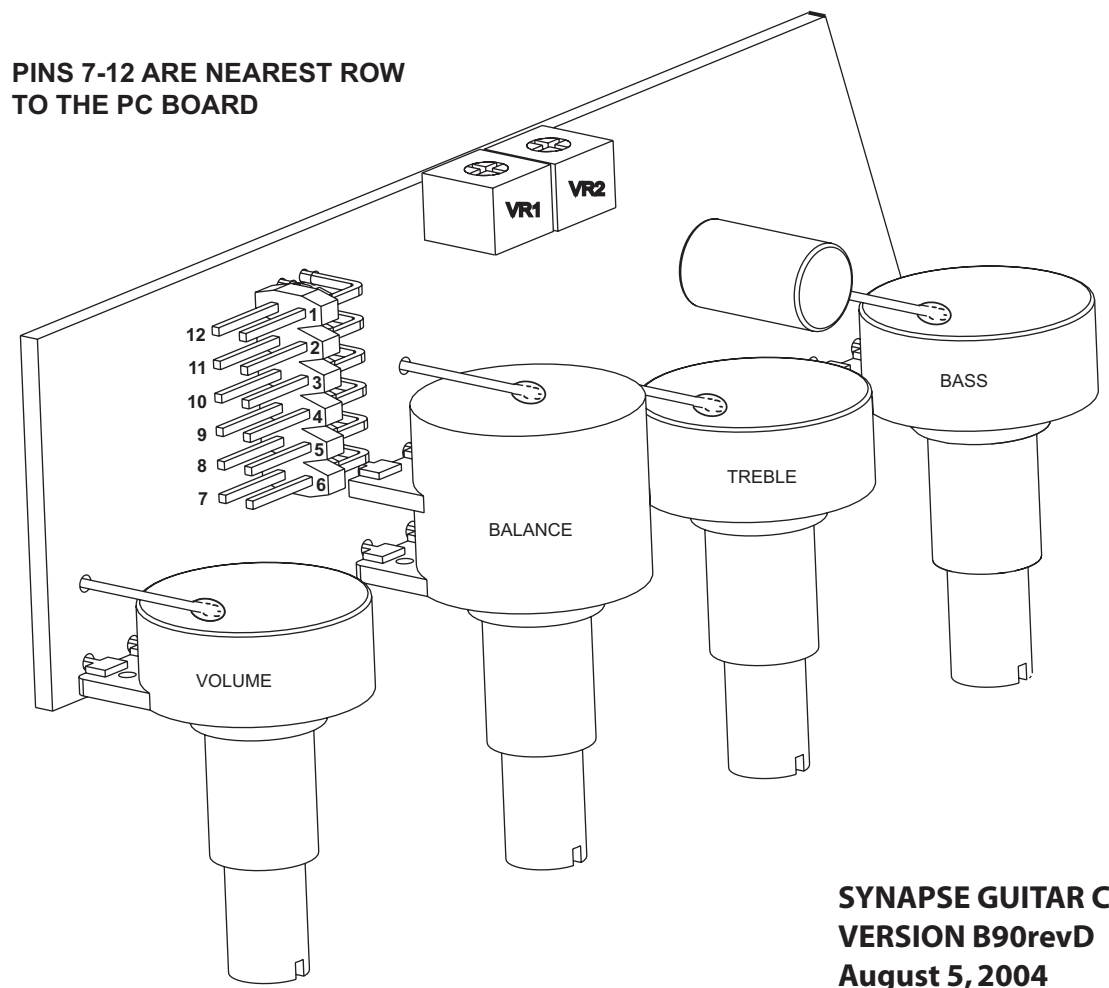


1 INPUT FROM PIEZO #2 (WHITE)  
 2 EARTH FOR PIEZO INPUTS (GREEN)  
 3 INPUT FROM PIEZO #1 (YELLOW)  
 4 MAGNETIC PICKUP V+ (RED)  
 5 MAGNETIC PICKUP INPUT (GND)  
 6 MAGNETIC PICKUP INPUT (SIGNAL)

7 NOT USED  
 8 V+ BATTERY (RED)  
 9 V- BATTERY (BLACK)  
 10 V- TO JACK (BLK)  
 11 EARTH TO JACK (GRN)  
 12 OUTPUT SIGNAL TO JACK (YEL)

PINS 1-6 ARE THE TOP ROW OF THE HEADER  
 FURTHEST FROM THE PC BOARD

PINS 7-12 ARE NEAREST ROW  
 TO THE PC BOARD



**TRIMMER ADJUSTMENTS**  
**VR1 PIEZO INPUT**  
**VR2 MAGNETIC INPUT**

**SYNAPSE GUITAR CIRCUIT**  
**VERSION B90revD**  
**August 5, 2004**